

Single Junction Surface Mount Circulator
2.4GHz, 2.6GHz, 3.35GHz, 3.5GHz

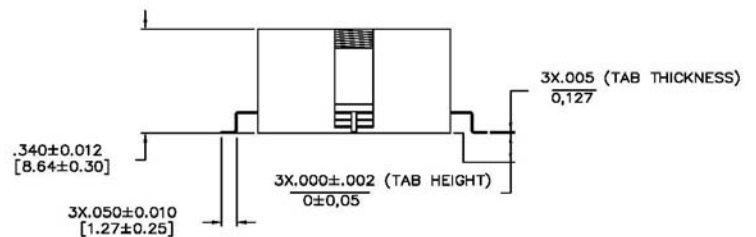
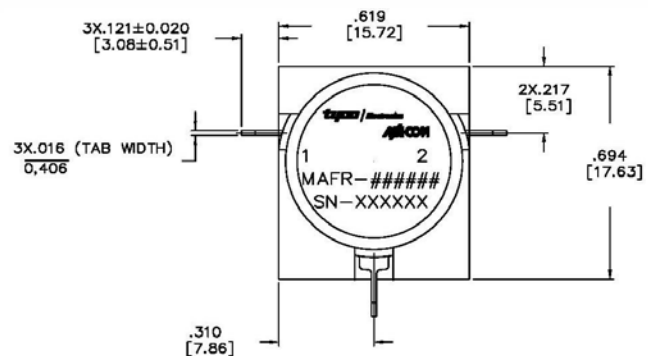
MAFR-WiMax Series
V1

Features

- Designed for WiMax market
- 25dB Isolation typical
- 0.20dB Insertion Loss typical
- Low cost package
- RoHS compliant
- Flat pack packaging

Description

This circulator is designed specifically for WiMax applications and features high reliability performance at a low cost. It is in a low cost package ideally suited for high volume manufacturing. M/A Com is one of the largest suppliers of isolator and circulators in the world.



Electrical Specifications

$T = T_{op}^1, Z_0 = 50 \text{ Ohms}$

Parameter	Units	Min	Typ @25°C	Max
Insertion Loss	dB		0.20	0.25
Isolation	dB	20.0	25.0	
Return Loss (Port 1 & 2)	dB	20.0	25.0	
Intermodulation	dBc	60.0	65.0	
Circulation		Clockwise		

Ordering Information

Part Number	Frequency Range (GHz)
MAFR-000229-000001	2.3-2.5
MAFR-000050-5S4C1T	2.5-2.7
MAFR-000200-5S4C1T	3.3-3.4
MAFR-000159-5S4C1T	3.4-3.6

1. See "Absolute Maximum Ratings" for T_{op} .

Absolute Maximum Ratings

Parameter	Absolute Maximum
Forward Power, CW	200 Watts
Reverse Power, CW	200 Watts
Peak Power	1000 Watts
Operating Temperature	-40°C to +85°C
Storage Temperature	-40°C to +100°C

1

M/A-COM Inc. and its affiliates reserve the right to make changes to the product(s) or information contained herein without notice. M/A-COM makes no warranty, representation or guarantee regarding the suitability of its products for any particular purpose, nor does M/A-COM assume any liability whatsoever arising out of the use or application of any product(s) or information.

- **North America** Tel: 800.366.2266 / Fax: 978.366.2266
- **Europe** Tel: 44.1908.574.200 / Fax: 44.1908.574.300
- **Asia/Pacific** Tel: 81.44.844.8296 / Fax: 81.44.844.8298

Visit www.macom.com for additional data sheets and product information.